

New series with Low Input and Output VSWR

- ◆ 100W - 133W Average Power
- ◆ Exceptional <-160 dBc PIM
- ◆ Conventional end to end input-output configuration
- ◆ Standard Values 3, 6, 10, 15, 20 & 30 dB
- ◆ High Reliability
- ◆ RoHS Compliant
- ◆ IP67 for Indoor and Outdoor
- ◆ N or 7-16 DIN Connectors
- ◆ Delivery from stock



**FZ-20N, 10 dB
Low PIM Attenuator**

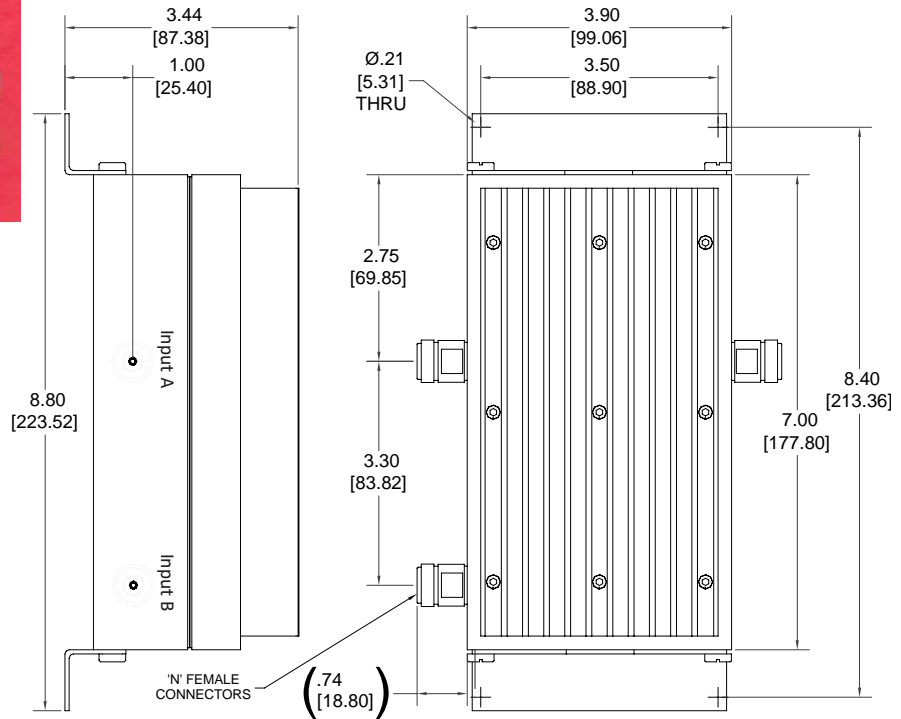
Microlab FZ series of fixed Coaxial Attenuators is designed for high power wireless applications where low, guaranteed PIM performance is critical. Standard models, except 3 dB, are unidirectional with a conventional male input feeding to a female output on the opposite face of the attenuators with no through DC path. The 3 dB Attenuator has all female connectors, and also provides DC continuity by selecting input B, while selecting input A, the path is DC isolated. The unused port must be terminated with the supplied 2W termination. Other connector configurations are available to special order.

Units are sealed to meet IP67 for indoor or outdoor applications. The design is exceptionally rugged, and negligibly affected by changes in ambient temperature. Low PIM Attenuators with medium power ratings from 30 to 40W are available as the FY series. (02/12)

Frequency Range: 698 - 2700 MHz
 Impedance: 50Ω nominal
 PIM (Intermod): <-150 dBc (+43dBm x2)
 <-160 dBc typical
 Peak Power: 3 kW
 Environment: -35° to +75°C*, IP67
 Finish: RoHS Compliant
 Body: Passivated aluminum
 Connectors: Triplate, N or 7-16 (m-f)
 Brackets: Supplied
 2W Termination: Supplied with 3dB model

*Derate max power by -1.2%/°C above 55°C

Attenuator Value, dB	Model/Connector		Attenuation Accuracy	VSWR		Input Power Avg. max.	Body Style	Nominal Weight	
	N (m-f)	7-16 (m-f)		Input	Output			lbs.	kg.
3	FZ-03N	FZ-03D	3 ± 0.5 dB	<1.20:1	<1.20:1	100W	A	6.6	3.0
6	FZ-06N	FZ-06D	6 ± 1 dB	<1.25:1	<1.25:1	133W	B	7.2	3.5
10	FZ-10N	FZ-10D	10 ± 1 dB	<1.25:1	<1.25:1	110W	B	7.2	3.5
15	FZ-15N	FZ-15D	15 ± 1 dB	<1.25:1	<1.25:1	100W	B	7.2	3.5
20	FZ-20N	FZ-20D	20 ± 1 dB	<1.25:1	<1.25:1	100W	B	7.2	3.5
30	FZ-30N	FZ-30D	30 ± 1.3 dB	<1.25:1	<1.25:1	100W	B	7.2	3.5

Outline A, (3 dB Attenuator, FZ-03N)

DC Path:

For a DC path through the 3 dB Attenuator connect signal to Input B, and apply supplied 2W termination to Input A. For DC isolation use input A and terminate Input B.

Outline B, shown for 7-16 DIN
