

Advanced Data

- ◆ Input bands for Cellular & LTE: 700/800/900 & 1800/1900/UMTS to 2700 MHz
- ◆ 8 Inputs to 4 Combined Outputs
- ◆ Lossless Concept, Guaranteed PIM
- ◆ High Reliability, RoHS
- ◆ Test port to monitor sum of outputs



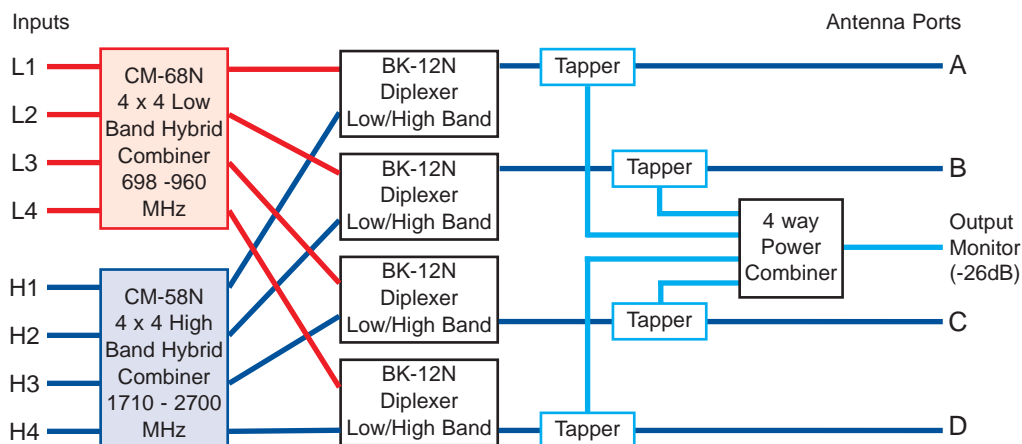
These broadband RF Combiner Boxes have been designed to meet the neutral host needs of in-building systems, with low passive intermodulation (PIM). The system combines up to 8 wireless carriers in the operating bands to 4 multiple antenna feeds or distribution cables. One quarter of each input appears on each of the four outputs, with a dissipated path loss of less than 0.5 dB. Typical isolation between inputs in the same band is 22 - 24 dB, between bands 58 dB.

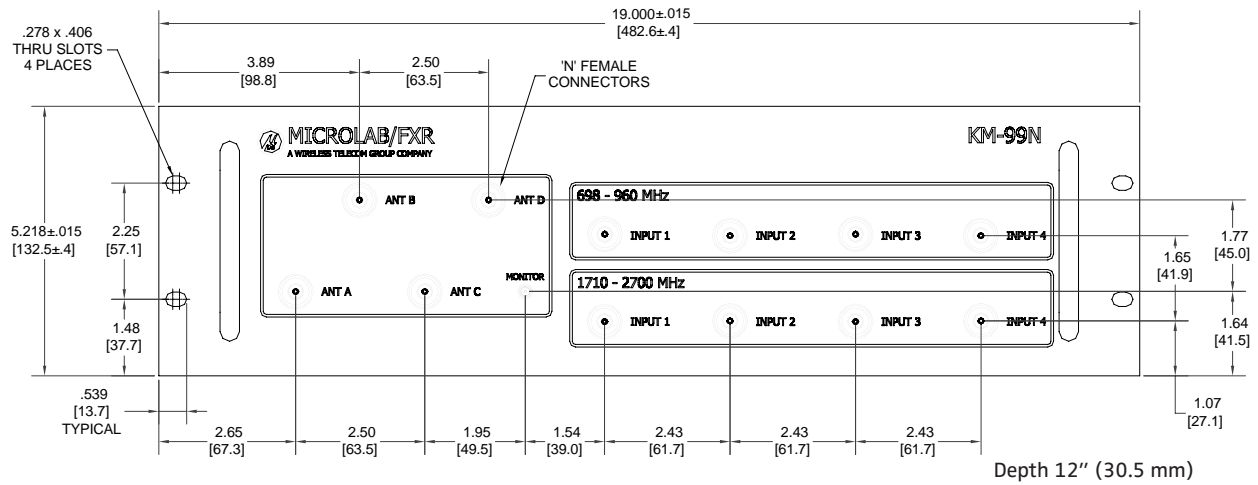
In this KM-99N a monitor of the sum of all outputs is provided, a useful way of assessing performance without the need for system disconnection.

Different upper and lower bands and any or all of the connectors are available in 7-16 mm DIN to order. (09/10)

Inputs L1 to L4: 698 - 960 MHz, Low Band
Inputs H1 to H4: 1710 - 2700 MHz, High Band
Input Isolation, dB: Within Low Band: 24 typ., 22 dB min.
Within High Band: 22 typ., 20 dB min.

Between Bands: >55 dB
Input Return Loss: >19 dB (>21 dB typical)
Coupling (In-Out): 6.5 ± 0.8 dB (all paths)
Power per input: <60W avg., 3 kW peak
Total power in: <200W average
Impedance: 50Ω nominal
Environment: -15°C to +65°C, Indoor
PIM (Intermod): <-142 dBc (+43dBm x2)
Finish: Housing: RoHS coated aluminum
Connectors: Triplate, N, except SMA for monitor
Weight: 24 lbs (11 kg) nominal





Standard Combiner Boxes - all provide 4 combined outputs								
Model Number	Total Inputs	380 - 520 UHF/Tetra	698 - 793 LTE-700	824 - 960 Cellular/GSM	1710-1880 GSM-1800	1920-2170 GSM-1900/UMTS	2400-2700 LTE/WiMAX	Other Features
KM-90N	8	-	xxxxxxx[4]	xxxxxxx	xxxxxxxxxxxxxxxxxxxx[4]	xxxxxxxxxxxxxxxxxxxx		-
KM-91N	12	xx[4]xx	xxxxxxx[4]	xxxxxxx	xxxxxxxxxxxxxxxxxxxx[4]	xxxxxxxxxxxxxxxxxxxx		-
KM-92N	12	-	xxxxxxx[4]	xxxxxxx	xxxxxxx[4]	xxxxxxx	xx[4]xx	-
KM-93N	16	xx[4]xx	xxxxxxx[4]	xxxxxxx	xxxxxxx[4]	xxxxxxx	xx[4]xx	-
KM-94N	16	-	xx[4]xx	xx[4]xx	xxxxxxx[4]	xxxxxxx	xx[4]xx	-
KM-95N	12	-			xx[4]xx	xx[4]xx	xx[4]xx	-
KM-99N	8	-	xxxxxxx[4]	xxxxxxx	xxxxxxxxxxxxxxxxxxxx[4]	xxxxxxxxxxxxxxxxxxxx		Test Port*

*Provides SMA test port to monitor sum of all outputs (Available on all models to order)