

- ◆ Integrates 2 Wireless Bands
- ◆ 50 dB Input Isolation
- ◆ 250 W/port Avg. Power
- ◆ Minimal RF Insertion Loss
- ◆ Rugged, Reliable
- ◆ Low Passive IM., PIM
- ◆ RoHS compliant
- ◆ Very Low Cost Design
- ◆ N or 7-16 mm connectors



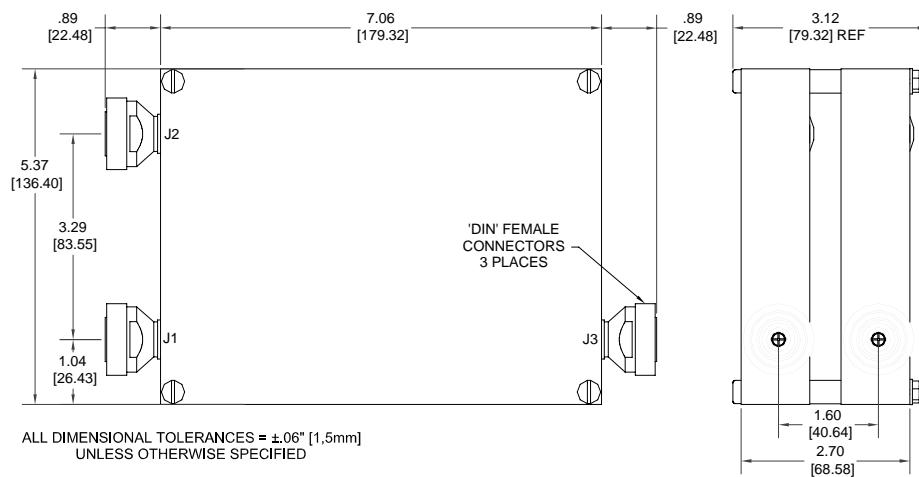
BK-40 series is a pair of Diplexers which combine or separate the signals in the low and high wireless bands. To minimize band inter-reaction, the inputs are well isolated. This dual model includes Diplexers for both uplink and downlink, each optimized for back to back performance.

Using passive, proprietary techniques to minimize cost and size, it ensures minimal loss and very high reliability at input powers up to 250W per input. (02/10)

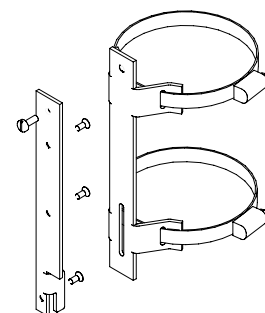
Port 1 (P1): Low Band (700 - 960 MHz)
 Port 2 (P2): High Band (1710 - 1990 MHz)
 Port 3 (P3): Common Port
 P1:P2 Isolation: >50 dB in specified band
 DC continuity: All paths. DC blocks optional
 VSWR, all ports: 1.10:1 typ., 1.12:1 max.
 Back to back VSWR: 1.20:1 typ. common ports joined
 Passband Loss: <0.15 dB, 0.11dB typ.
 Input Power: 250W/input avg., 3 kW peak
 Impedance: 50Ω nominal
 Environment: -35 to +65°C, IP64 (IP67 to order)
 Intermod. (PIM): <-150 dBc* tested with
 2 x +43dBm (20W) tones
 Finish: Connectors: Triplated (f), N or 7-16 mm DIN
 Housing: Conversion Coated
 Mounting: Bracket available for pole mount
 Weight, nominal: 6.6 lbs (3 kg)
 *PIM guaranteed to <-160 dBc available to special order

Model Number		Low Band	High Band
N conn.	7-16 mm	P1 - P3 MHz	P2 - P3 MHz
BK-40N	BK-40D	824 - 894	1850 - 1990
BK-42N	BK-42D	824 - 894	1895 - 1980
BK-44N	BK-44D	890 - 960	1710 - 1880

Other Low/High Band combinations available



ALL DIMENSIONAL TOLERANCES = ±.06" [1.5mm]
UNLESS OTHERWISE SPECIFIED



Optional Mast Mounting Bracket